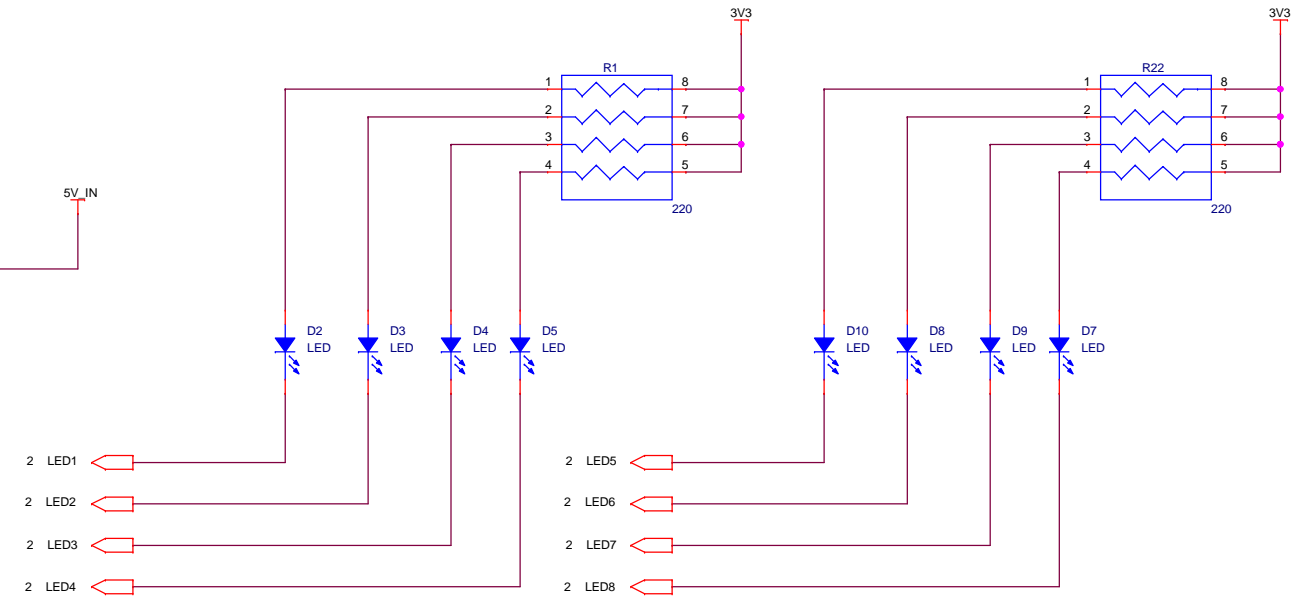
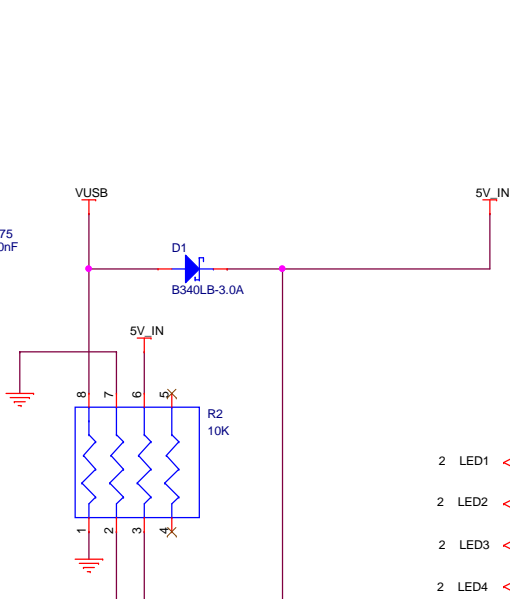
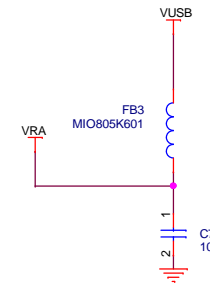
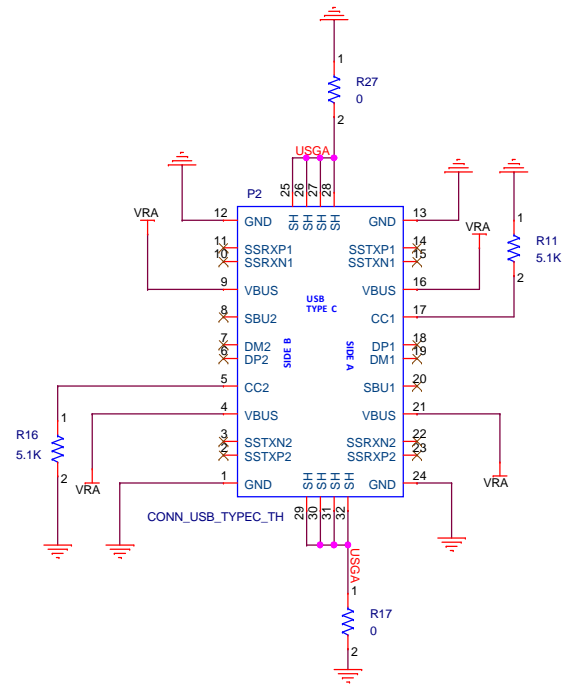
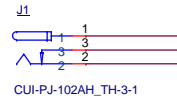


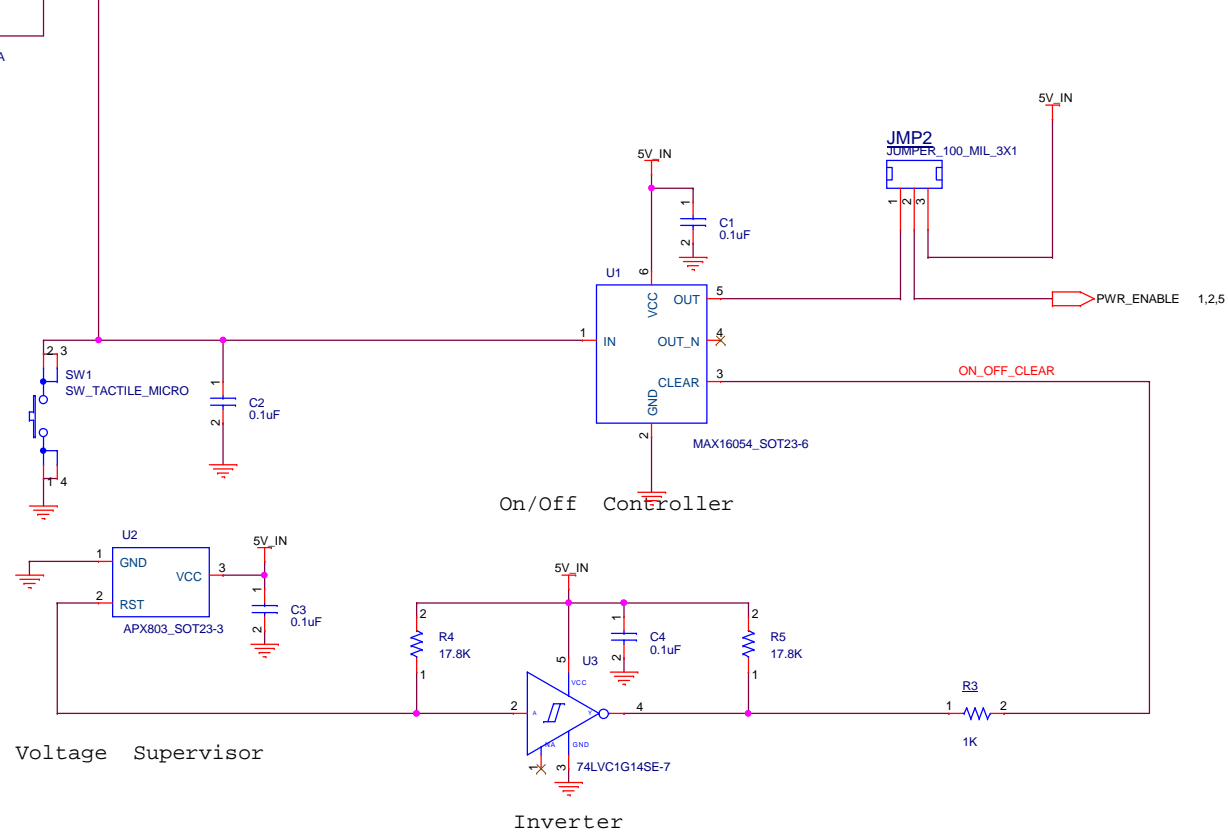
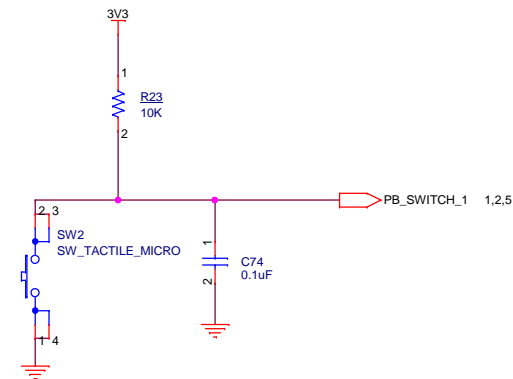
USB Power Connector



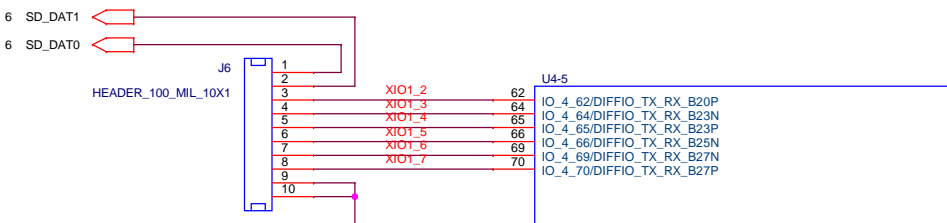
Barrel Connector



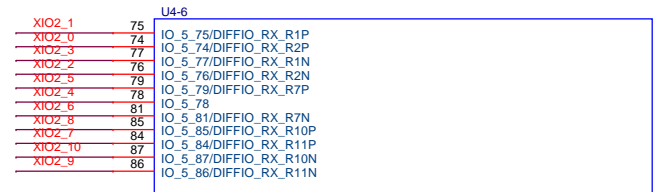
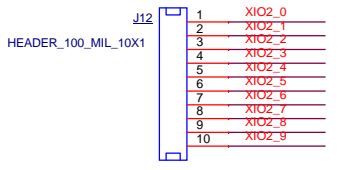
Lith-Ion



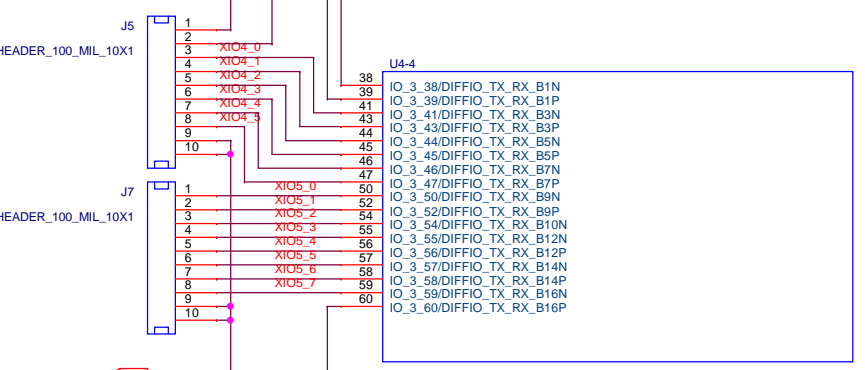
Title		
MAXPROLOGIC		
Size	Document Number	Rev
C	ETP-10M04-AF-S2-V3	4
Date:	Monday, January 10, 2022	Sheet 1 of 6



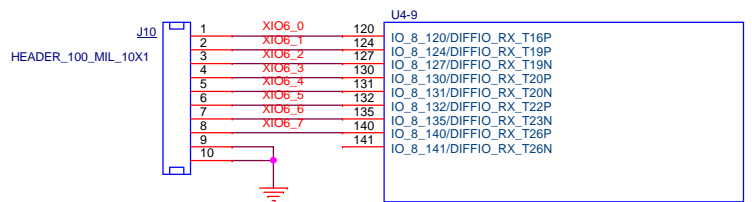
MAX10 10M04SAE144
VERSION : 1.0
PAGE : 5 of 13
DATE : OCT_2014



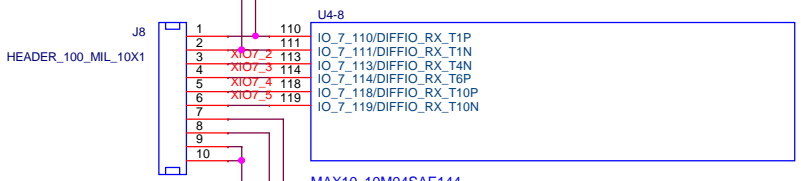
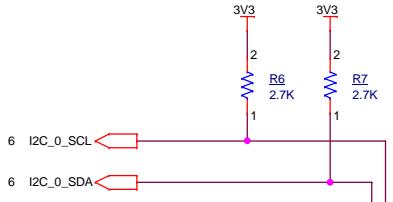
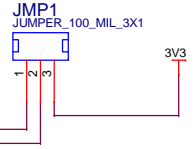
MAX10 10M04SAE144
VERSION : 1.0
PAGE : 6 of 13
DATE : OCT_2014



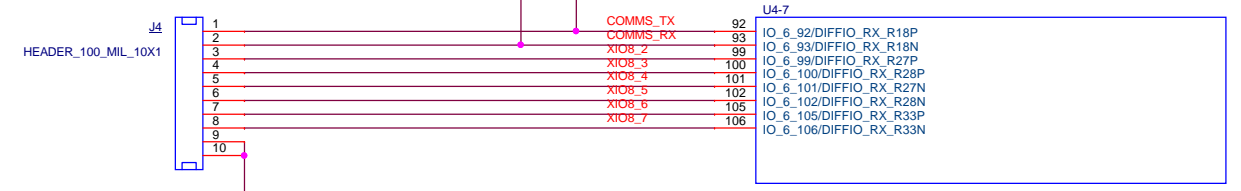
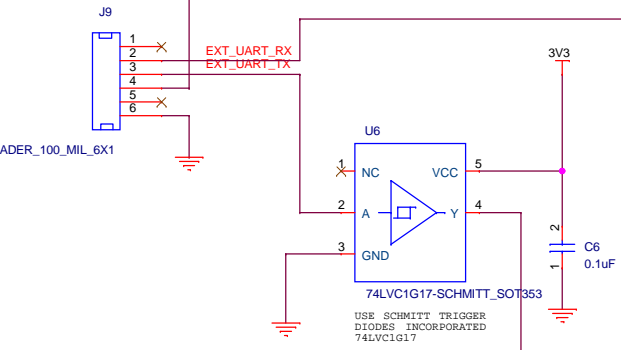
MAX10 10M04SAE144
VERSION : 1.0
PAGE : 4 of 13
DATE : OCT_2014



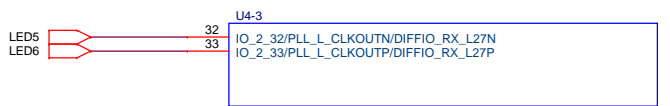
MAX10 10M04SAE144
VERSION : 1.0
PAGE : 9 of 13
DATE : OCT_2014



MAX10 10M04SAE144
VERSION : 1.0
PAGE : 8 of 13
DATE : OCT_2014

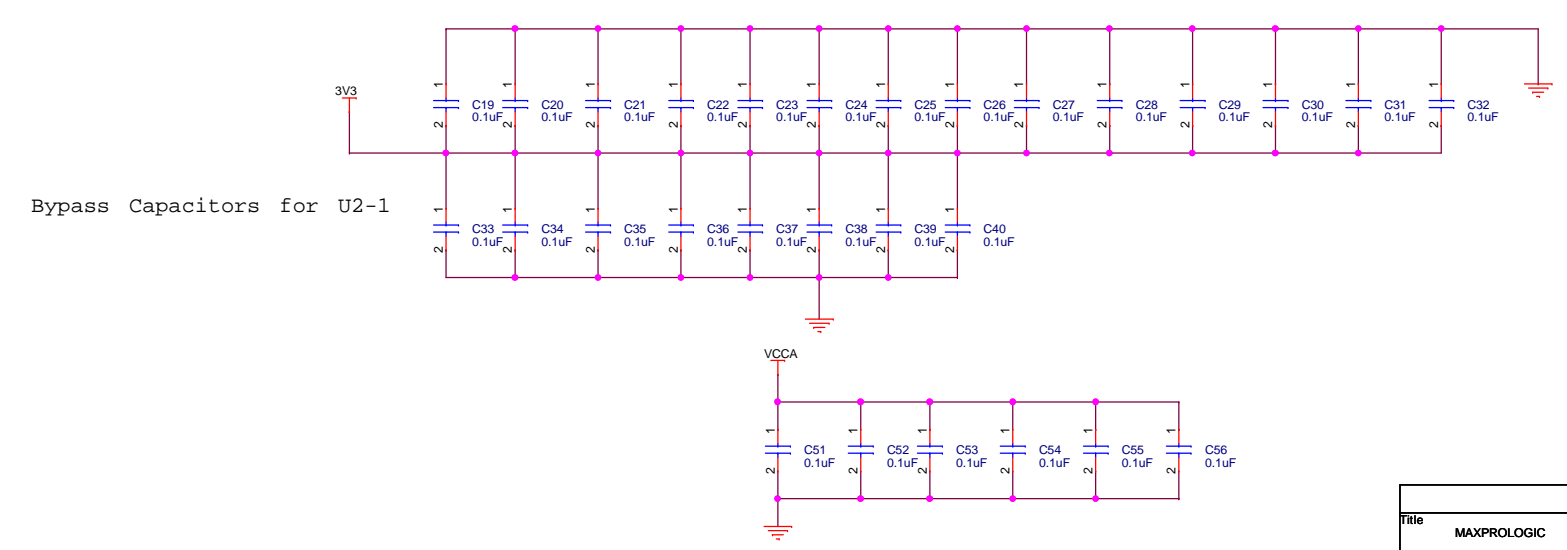
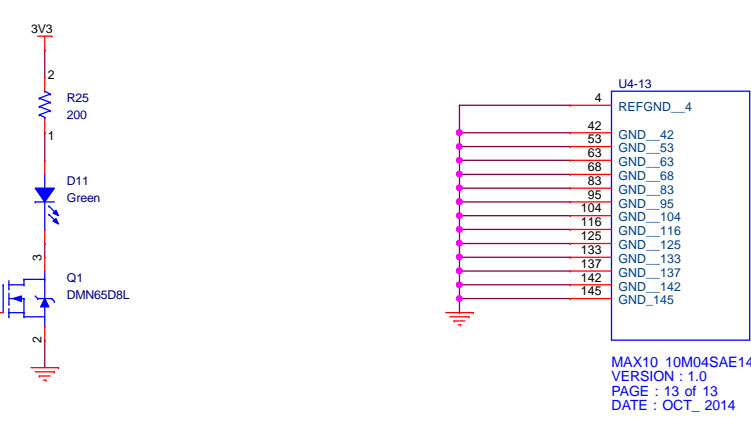
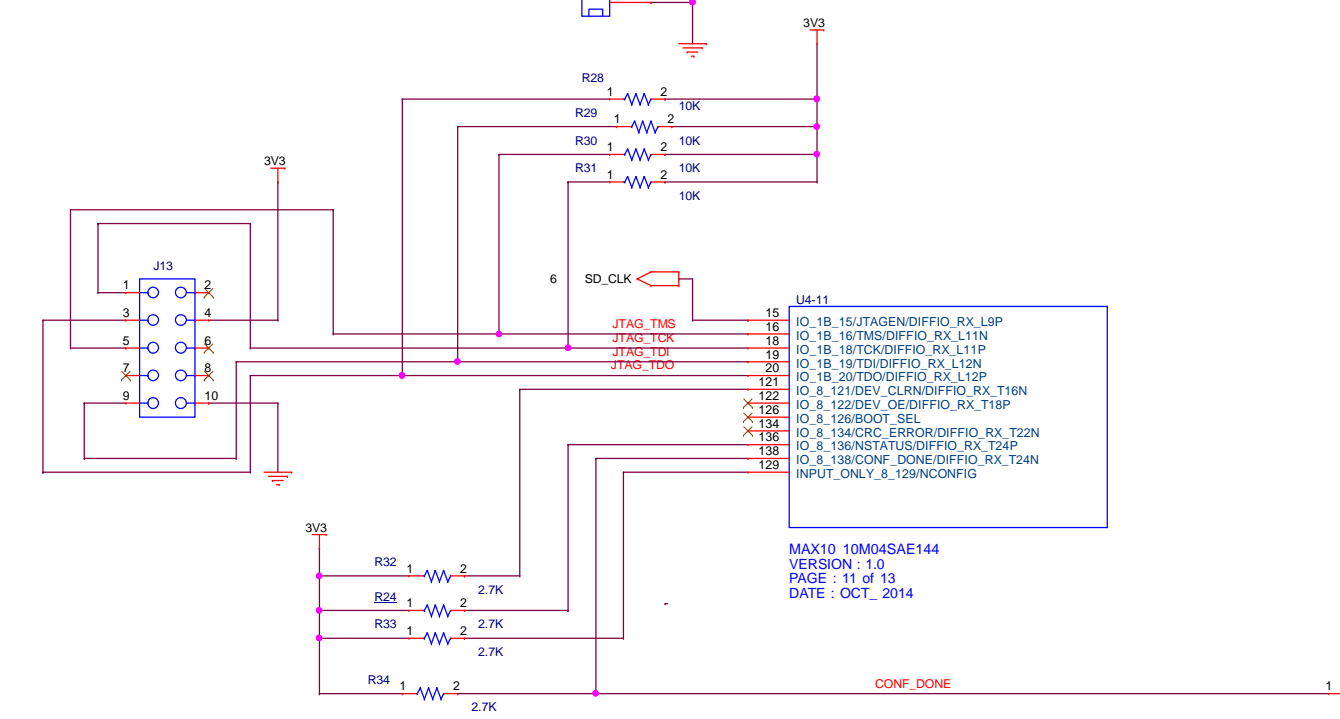
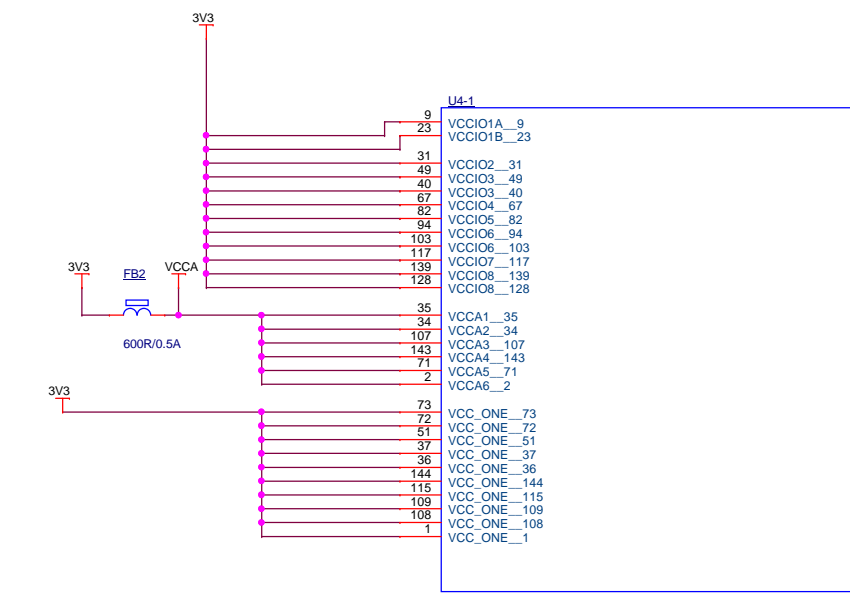
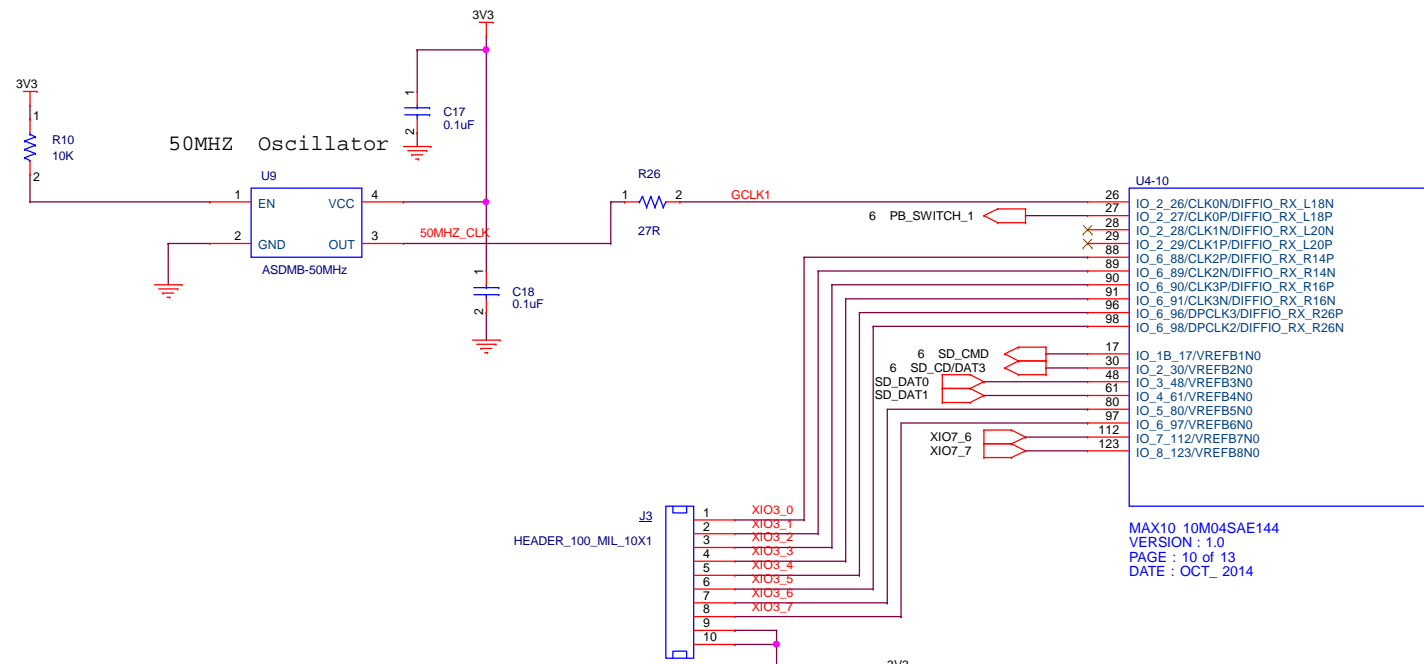


MAX10 10M04SAE144
VERSION : 1.0
PAGE : 7 of 13
DATE : OCT_2014

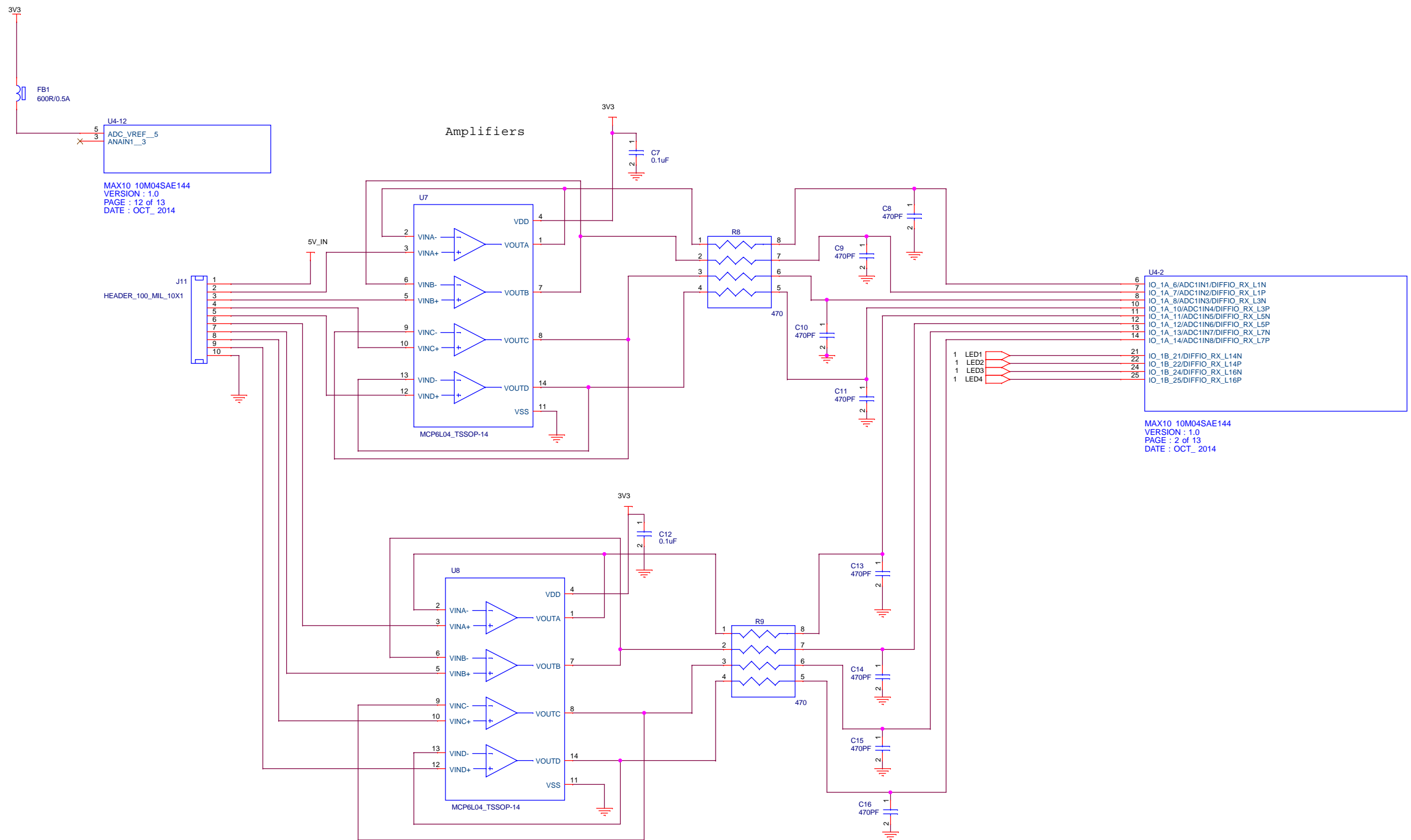


MAX10 10M04SAE144
VERSION : 1.0
PAGE : 3 of 13
DATE : OCT_2014

Title		
MAXPROLOGIC		
Size	Document Number	Rev
C	ETP-10M04-AF-S2-V3	4
Date:	Monday, January 10, 2022	Sheet 2 of 6



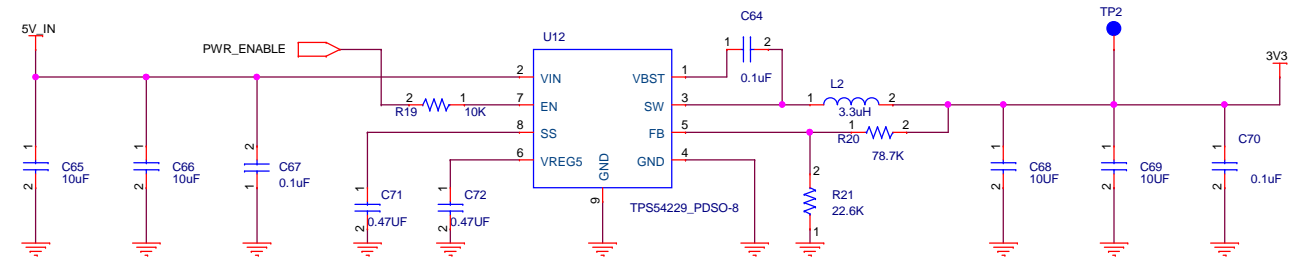
Title		
MAXPROLOGIC		
Size	Document Number	Rev
C	ETP-10M04-AF-S2-V3	4
Date:	Friday, January 14, 2022	Sheet 4 of 6



MAX10 10M04SAE144
 VERSION : 1.0
 PAGE : 12 of 13
 DATE : OCT_2014

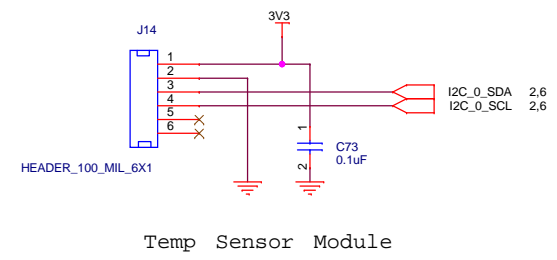
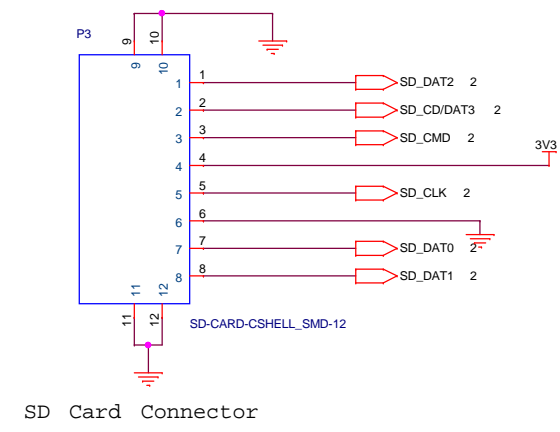
MAX10 10M04SAE144
 VERSION : 1.0
 PAGE : 2 of 13
 DATE : OCT_2014

Title		
MAXPROLOGIC		
Size	Document Number	Rev
C	ETP-10M04-AF-S2-V3	4
Date:	Monday, January 10, 2022	Sheet 4 of 6



Buck Switching Regulator

Title		
MAXPROLOGIC		
Size	Document Number	Rev
C	ETP-10M04-AF-S2-V3	4
Date:	Monday, January 10, 2022	Sheet 5 of 6



Title			
MAXPROLOGIC			
Size	Document Number	Rev	
C	ETP-10M04-AF-S2-V3	4	
Date:	Monday, January 10, 2022	Sheet	6 of 6