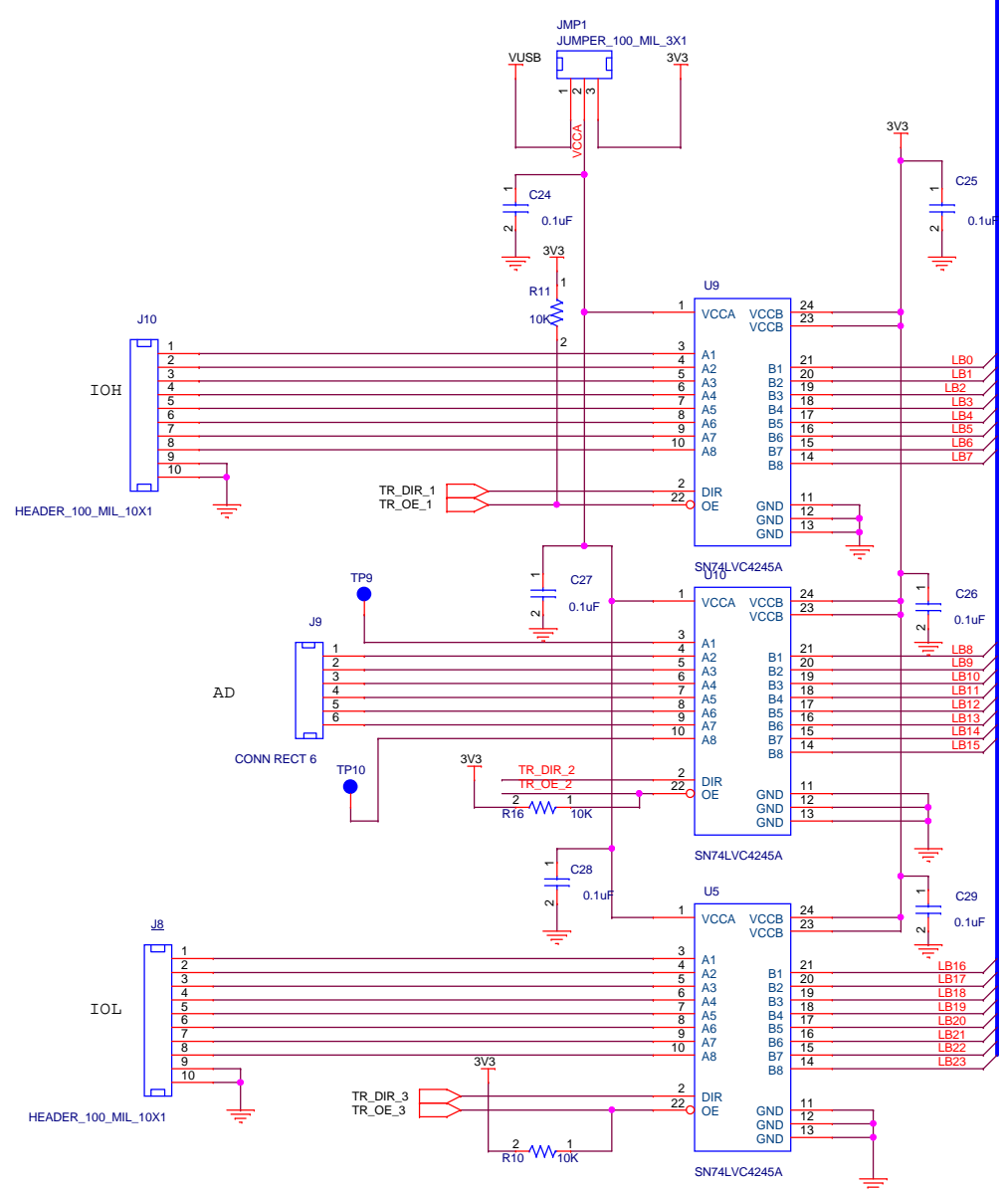
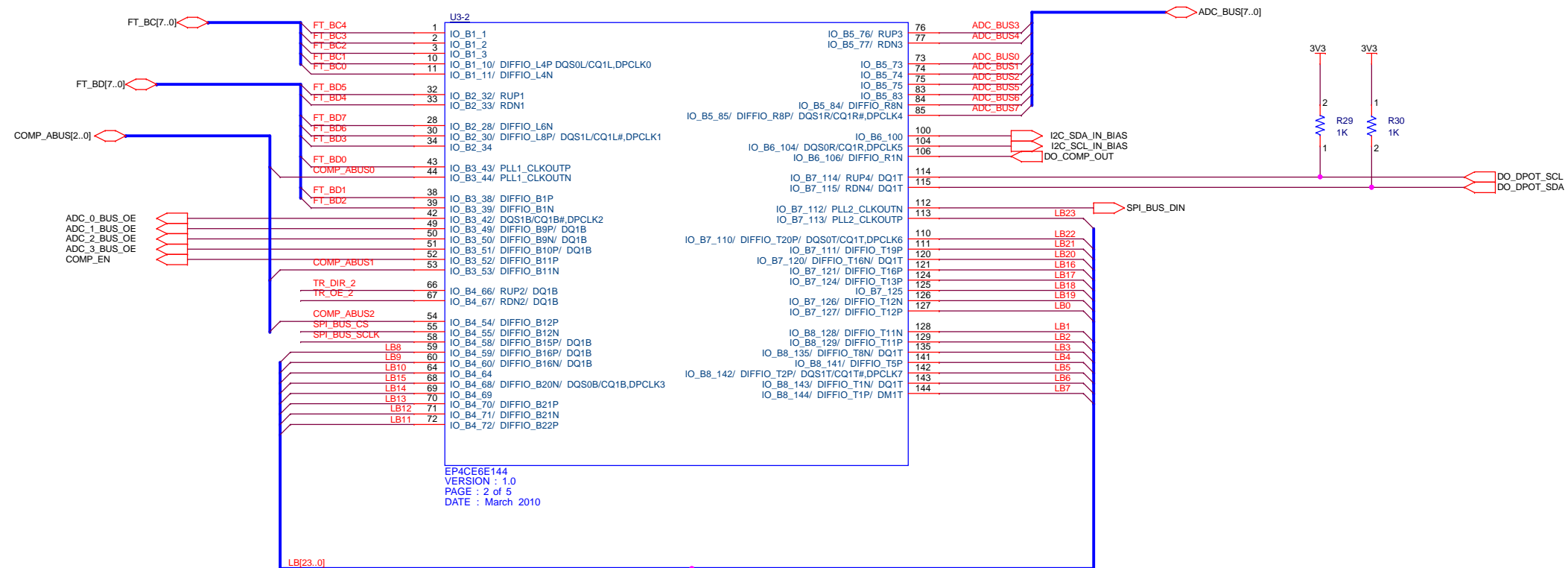
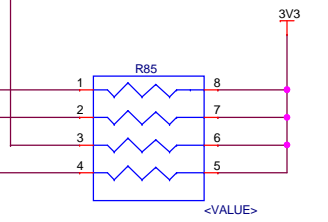
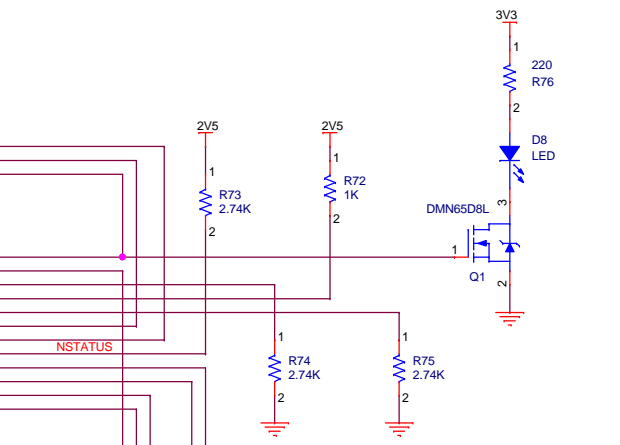
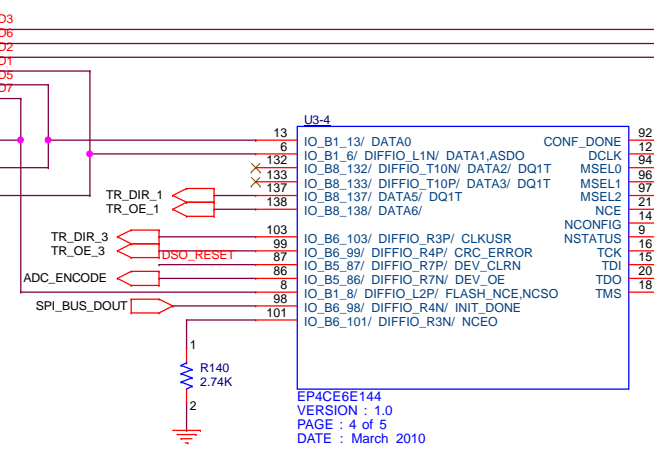
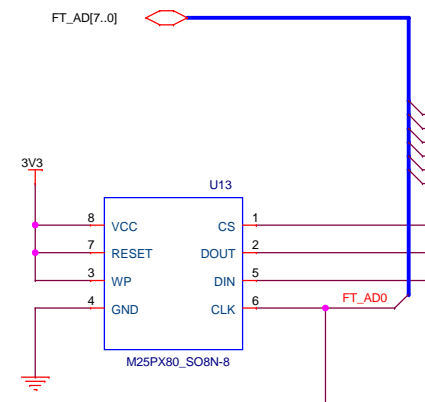
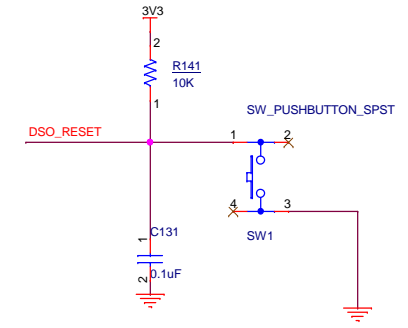
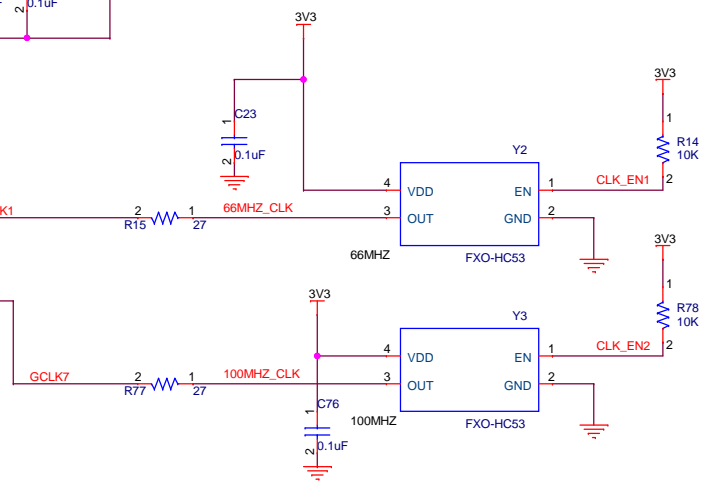
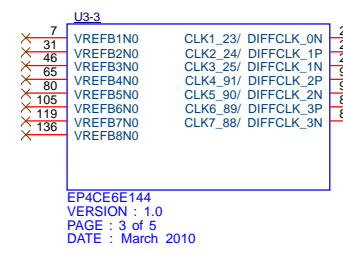
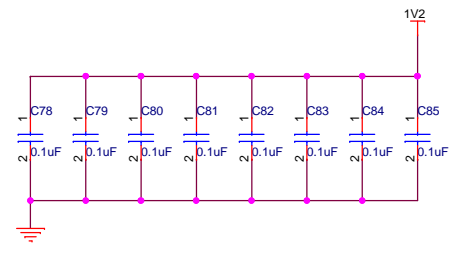
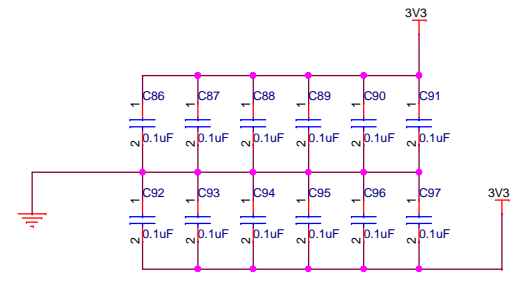
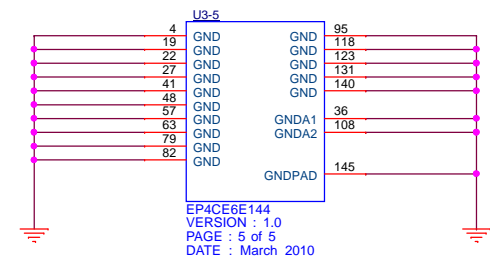
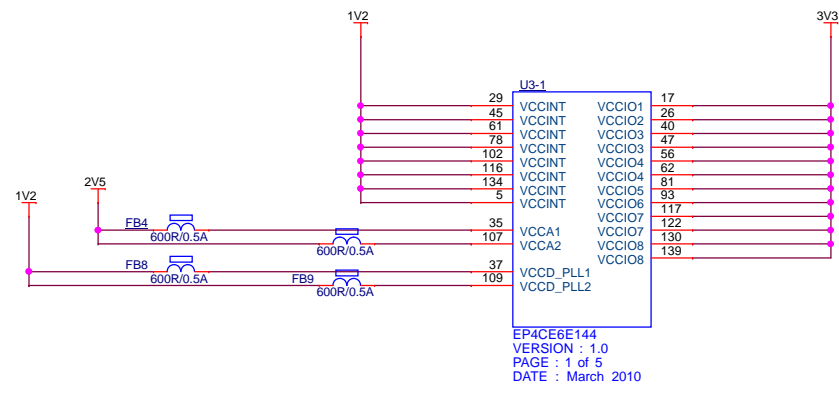


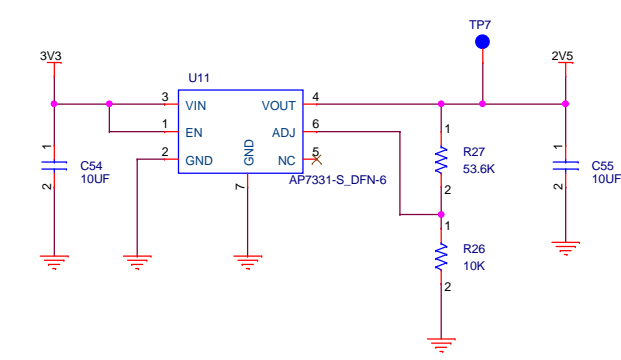
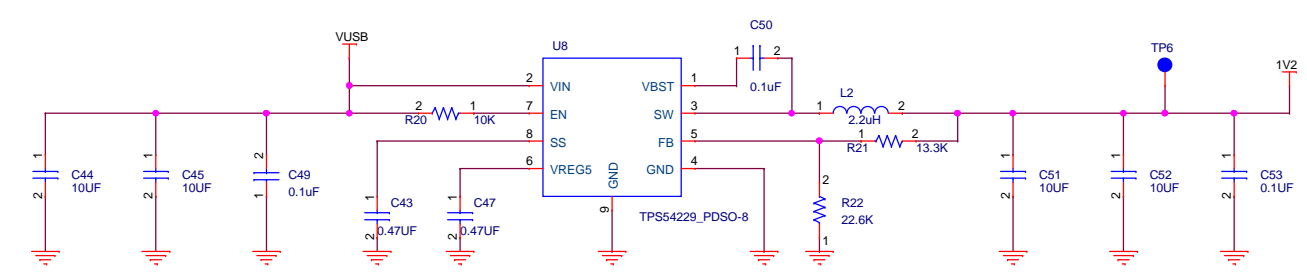
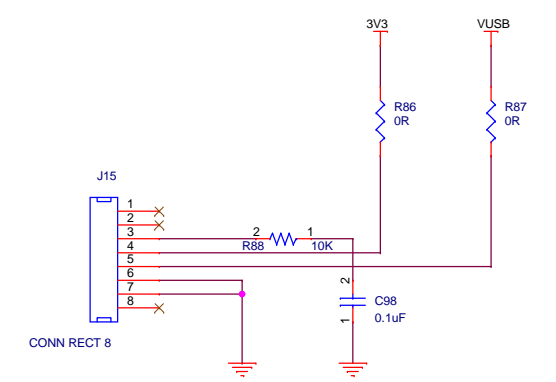
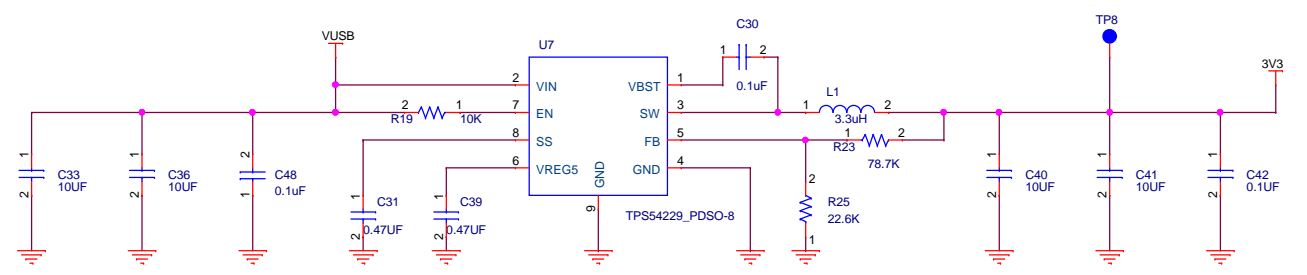
| | | | |
|--|-------------------------|--------|--------|
| Title | | | |
| EPT DIGITAL STORAGE OSCILLOSCOPE 50MHZ | | | |
| Size | Document | Number | Rev |
| C | EPT-4CE6-DO-U2-V1 | | 1 |
| Date: | Wednesday, May 25, 2016 | Sheet | 1 of 1 |



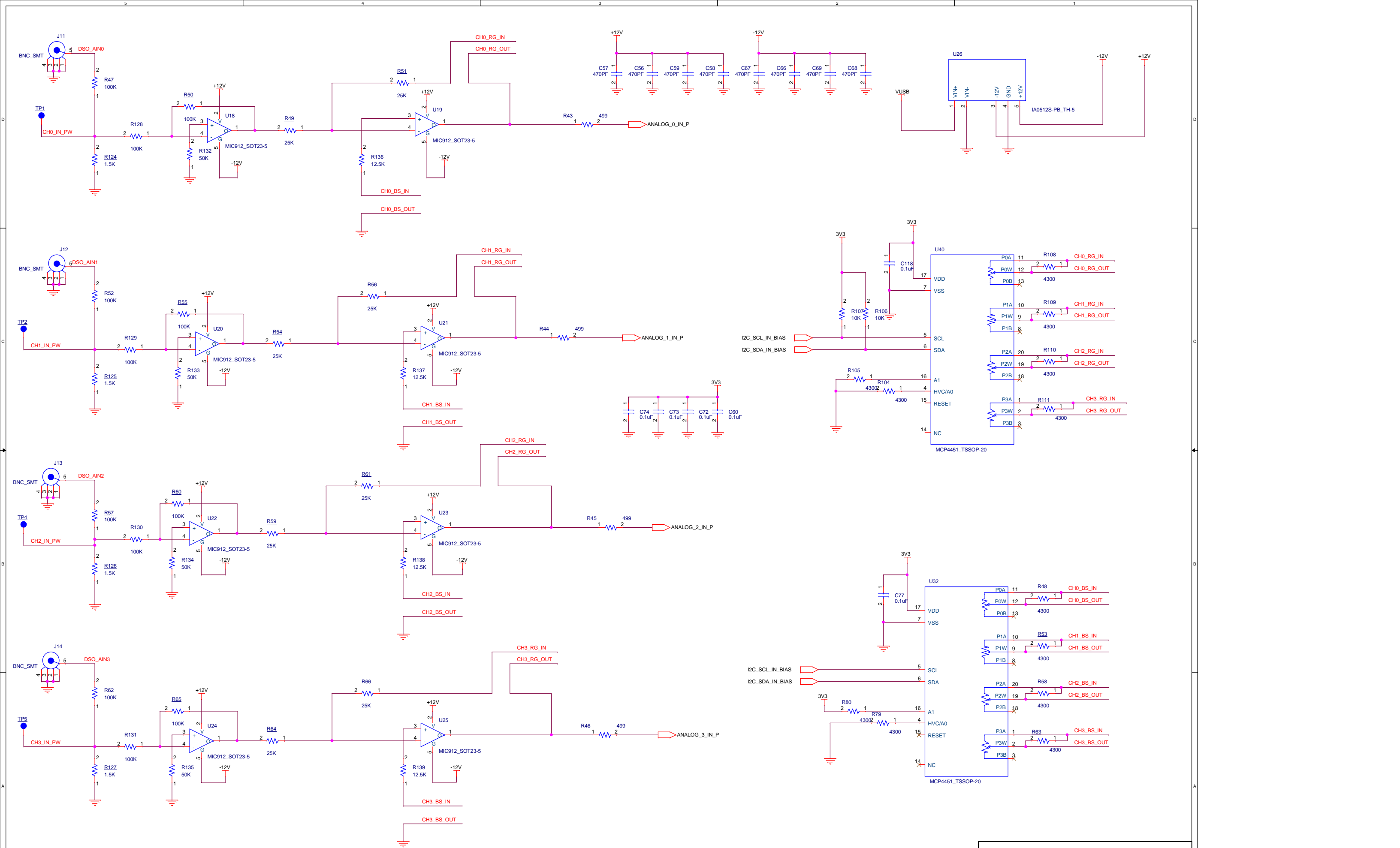
| | | | | |
|-------|-----------------------|--------|-----|-----------|
| Title | <Title> | | Rev | <RevCode> |
| Size | Document | Number | | |
| C | <Doc> | | | |
| Date: | Monday, June 06, 2016 | Sheet | 1 | of 1 |



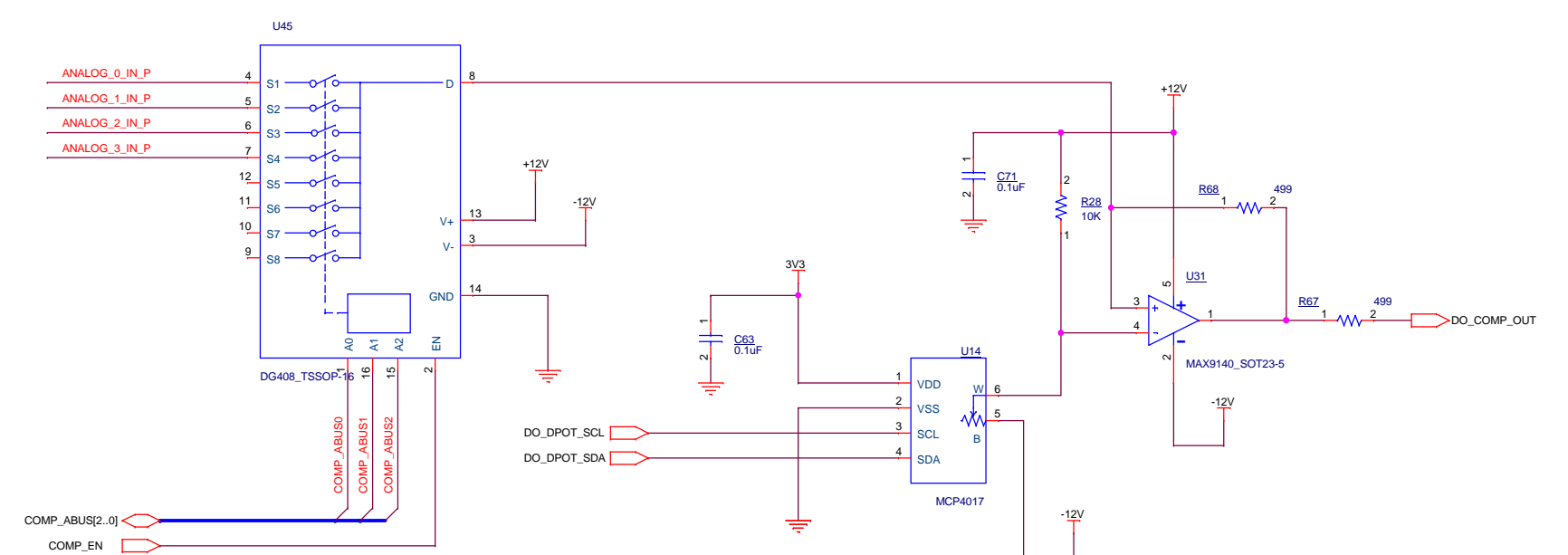
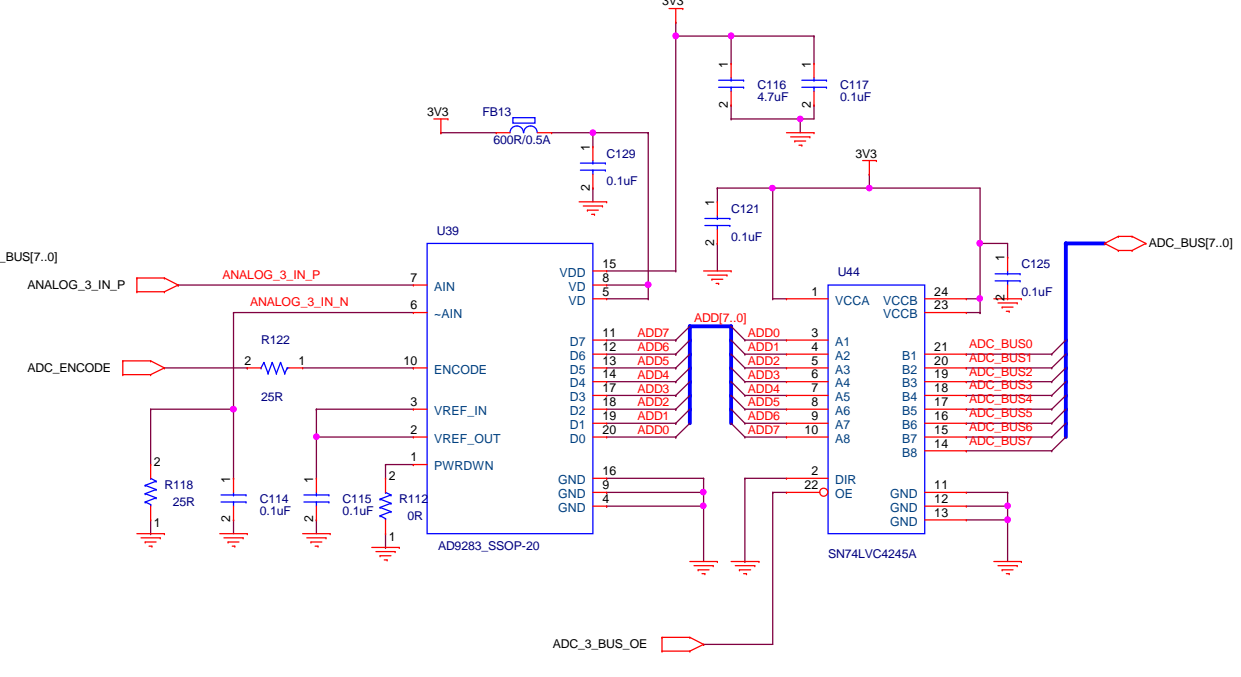
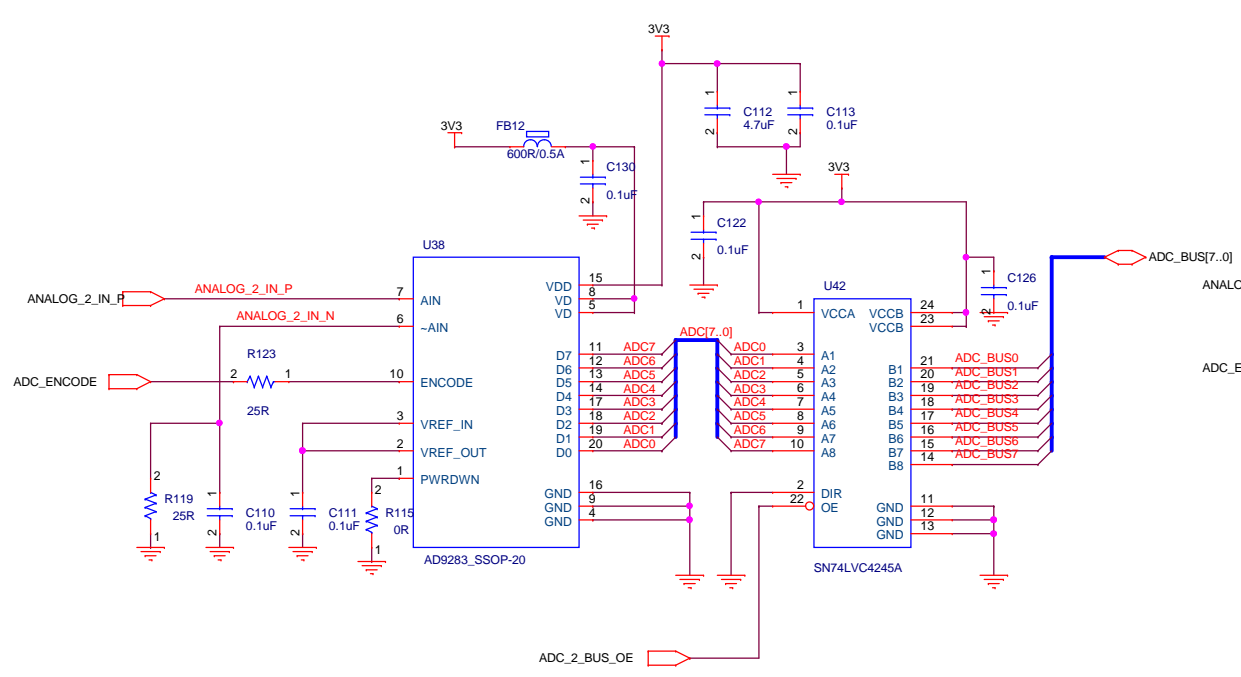
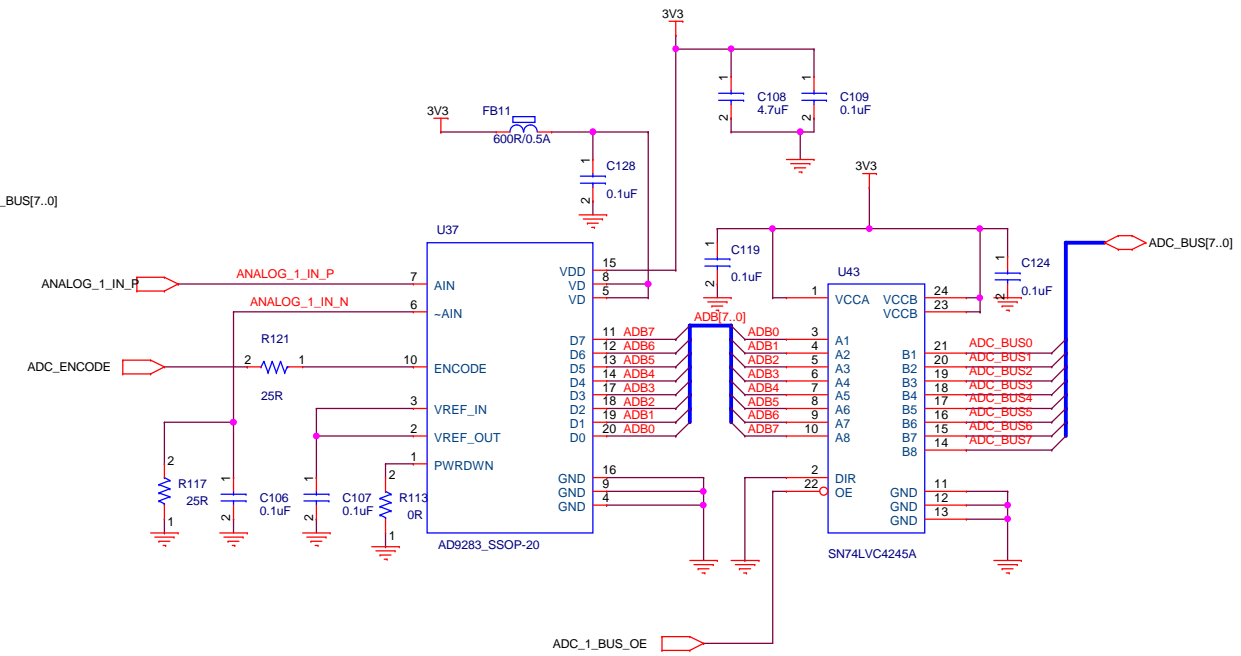
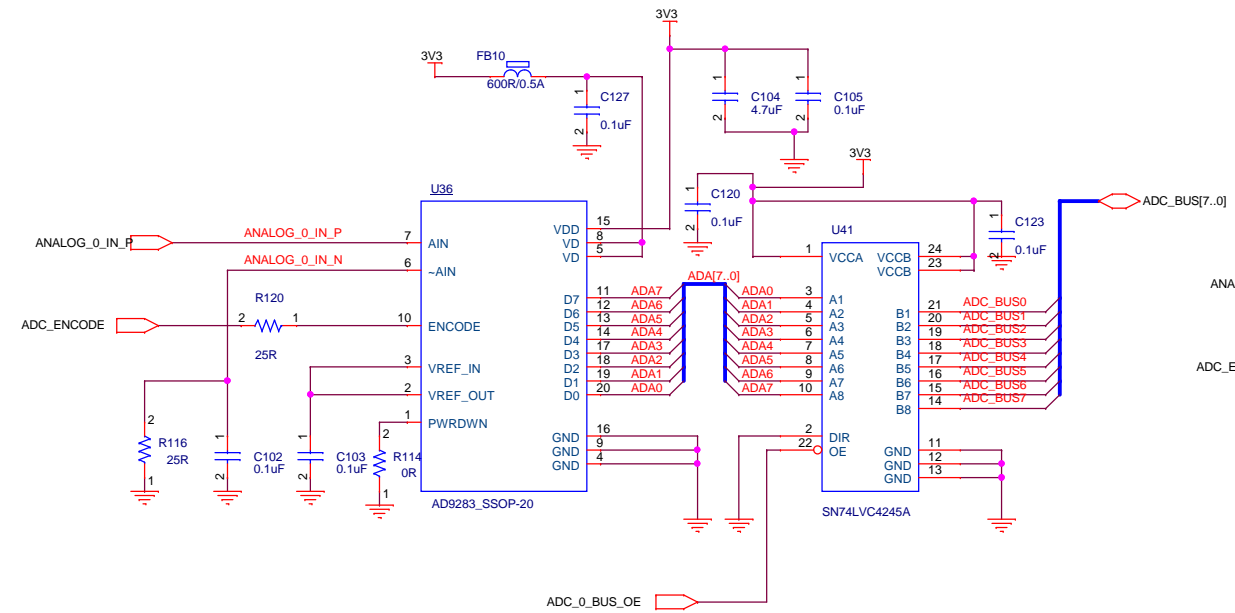
| | | | |
|-------|------------------------|-------|-----------|
| Title | <Title> | | |
| Size | Document Number | Rev | <RevCode> |
| C | <Doc> | | |
| Date: | Tuesday, June 07, 2016 | Sheet | 1 of 1 |



| | | | |
|---------|------------------------|--------|-----------|
| Title | | | |
| <Title> | | | |
| Size | Document | Number | Rev |
| C | <Doc> | | <RevCode> |
| Date: | Tuesday, June 07, 2016 | Sheet | 1 of 1 |



| | | | | |
|-------|-------------------------|--------|-----|------------|
| Title | <Title> | | Rev | <Rev Code> |
| Size | Document | Number | | |
| C | <Doc> | | | |
| Date: | Wednesday, May 25, 2016 | Sheet | 1 | of 1 |



| | |
|-------|-----------------------|
| Title | <Title> |
| Size | <Doc> |
| Date: | Tuesday, May 31, 2016 |
| Sheet | 1 of 1 |
| Rev | <Rev Code> |